

KONTAK Lighting technical data

LED 60W 80W 120W SHOE BOX LIGHT

Lighting technical data

LED SHOE BOX LIGHT is an alternative light source with longer life and uniformed light distribution



IP65

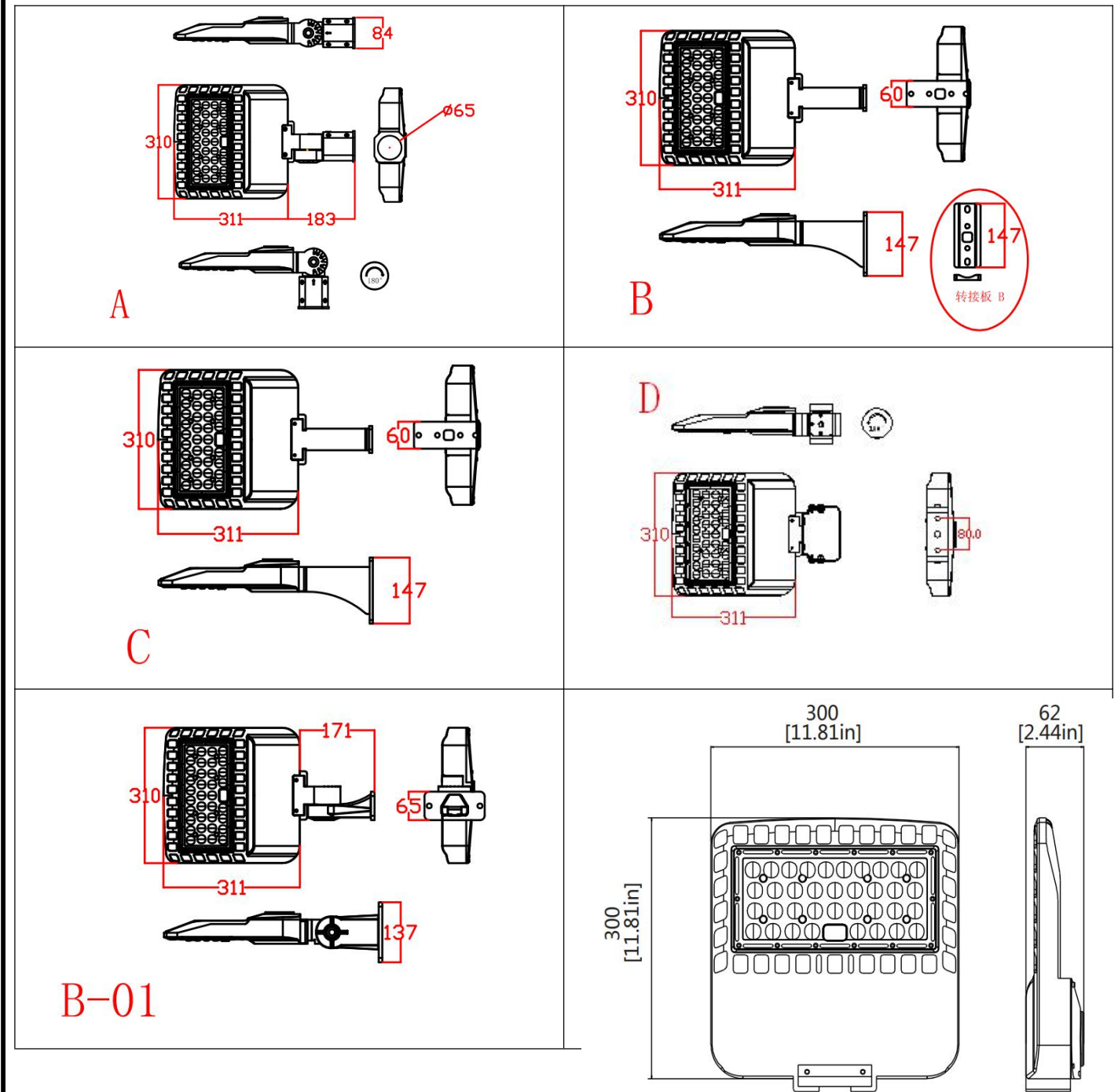
Lighting technical data

LED SHOE BOX LIGHT

LED SHOE BOX LIGHT

mounting bracket

model	Dimension(mm)	Material	coding
SBL-A		ADC12	4.12.27015900
SBL-B		ADC12	4.12.27016000
SBL-C		ADC12	4.12.27016100
SBL-D		IRON	4.12.41016300
SBL-B-01		ADC12	4.12.41018700



LED SHOE BOX LIGHT



Line-Up

Model No.	Watts(W)	Light Output(lm)	Dimension(mm)	Light Color(K)	Beam Angle(Degree)
KTSL3908-60	60±10%	7800-10%	300*300*62mm	5000K	TPYEIII
KTSL3908-80	80±10%	10400-10%	300*300*62mm	5000K	TPYEIII
KTSL3908-120	120±10%	15600-10%	300*300*62mm	5000K	TPYEIII

Technical Specifications

Item	Test Conditions	Min.	Typ.	Max.
Input Voltage(V, rms)	AC	110	220	277
Input Current(mA, rms)	AC(120V)	---	273/364/545	---
Input Power(W, rms)	AC(All)	---	60/80/120	---
Input Frequency(Hz)	AC	---	50Hz	---
Power Factor(PF)	AC(All)	≥0.9		
Output Voltage(V)	DC	62	63	64
Output Current(A)	DC	0.86/1.18/1.74	0.87/1.2/1.75	0.88/1.21/1.76
Output Power(W)	DC	53.3/73.2/107.9	54.8/75.6/110.3	56.3/77.4/112.6

Environmental Requirements

Specifications	Values
Operational Temperature Range	-40~40℃
Preservation Temperature Range	-40~90℃
Operational Humidity Range	95%Rh or below (@-40~40℃)
Installation Area	Outdoor (Counter,Residential,Commercial,etc)

Product Packaging	Specifications	Unit
Product Dimension	300*300*62	mm
Net Weigh	3.9/3.9/4.0	Kg
Size of box	560*370*140	mm
Gross Weight	4.67/4.68/4.78	Kg
Size of Carton	560*370*140	mm
Qty/ Carton	1	PCS
Weight/ Carton	4.67/4.68/4.78	Kg

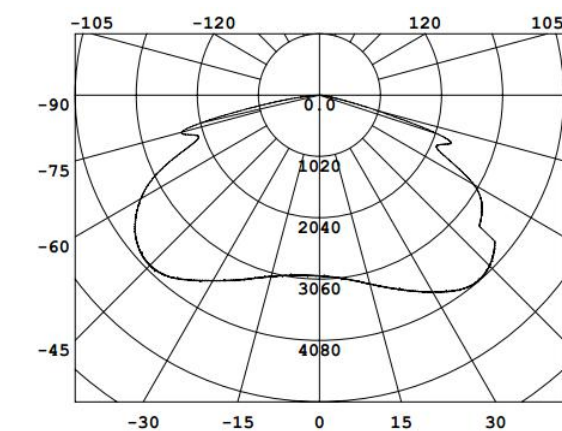
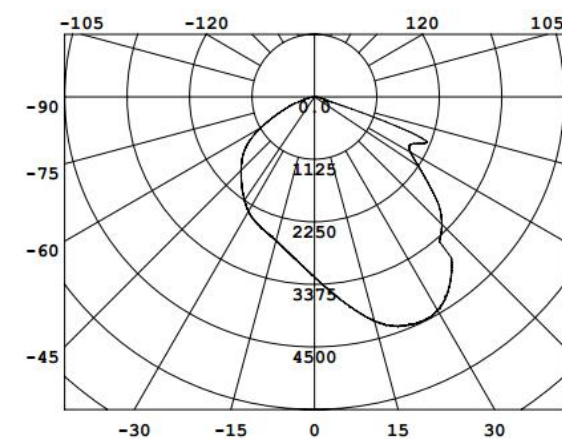
LED SHOE BOX LIGHT



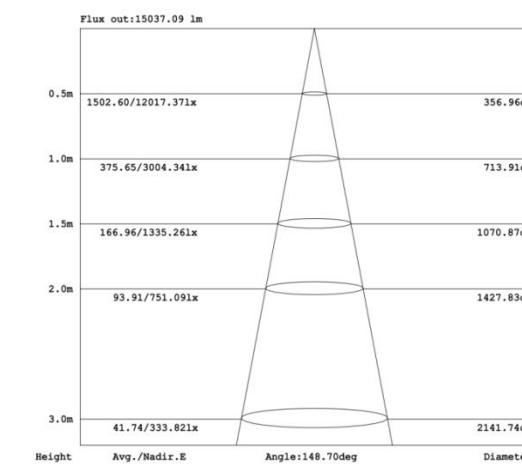
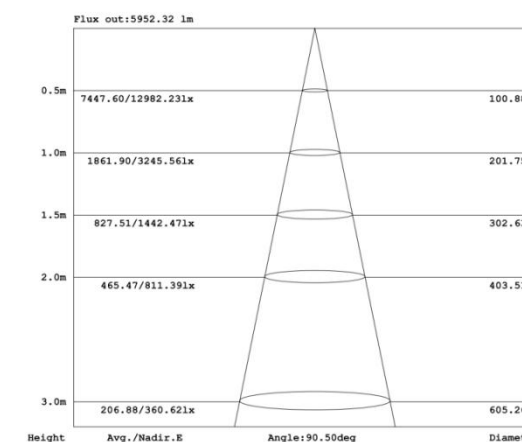
KTSL3908-60,KTSL3908-80,KTSL3908-120

Category	Specifications	Unit
Watts	60/80/120	W
Lumens per Watt(Efficacy)	130	Lm/W
Light Output	7800/10400/15600	lm
Light Color(CCT)	5000	K
Beam Angle	100*150	°(degree)
Color Accuracy(CRI)	70	Ra
Product Weight	2900	G
Rating Life	50000	H
Base	Line interface	
Input Voltage(AC)	220	V

Luminance Intensity Distribution



Cone Lux Diagram



KONTAK Lighting technical data

LED 150W 200W SHOE BOX LIGHT

Lighting technical data

LED SHOE BOX LIGHT is an alternative light source with longer life and uniformed light distribution



IP65

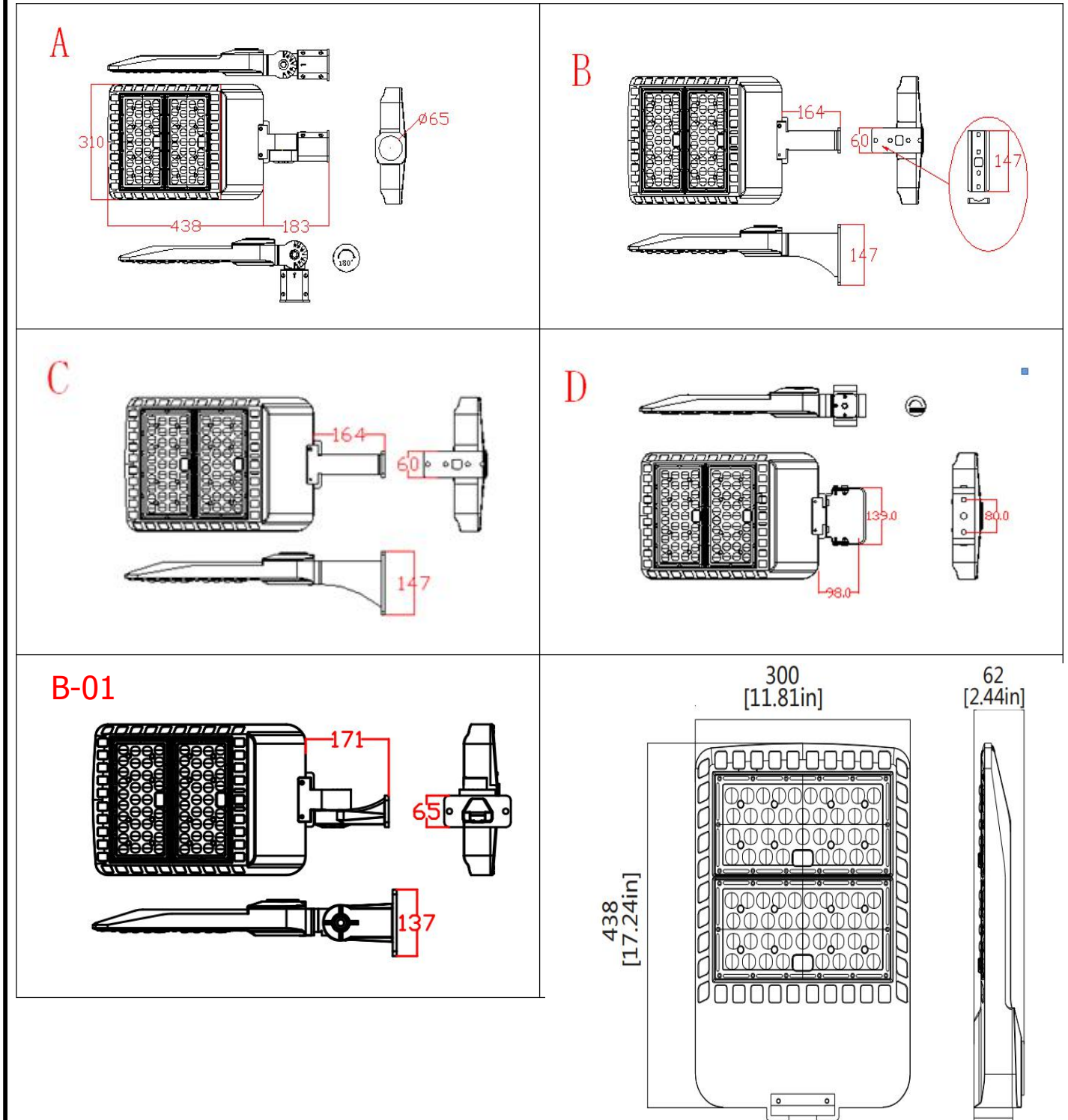
KONTAK Lighting technical data

LED SHOE BOX LIGHT

LED SHOE BOX LIGHT

mounting bracket

model	Dimension(mm)	Material	coding
SBL-A		ADC12	4.12.27015900
SBL-B		ADC12	4.12.27016000
SBL-C		ADC12	4.12.27016100
SBL-D		Iron	4.12.41016300
SBL-B-01		ADC12	4.12.41018700



LED SHOE BOX LIGHT



Line-Up

Model No.	Watts(W)	Light Output(lm)	Dimension(mm)	Light Color(K)	Beam Angle(Degree)
KTSL3908-150	150±10%	19500-10%	438*300*62mm	5000K	TYPEIII
KTSL3908-200	200±10%	26000-10%	438*300*62mm	5000K	TYPEIII

Technical Specifications

Item	Test Conditions	Min.	Typ.	Max.
Input Voltage(V, rms)	AC	120	220	277
Input Current(mA, rms)	AC(120V)	---	682/901	---
Input Power(W, rms)	AC(All)	---	150/200	---
Input Frequency(Hz)	AC	---	50Hz	---
Power Factor(PF)	AC(All)	≥0.9		
Output Voltage(V)	DC	61	63	64
Output Current(A)	DC	2.18/1.43*2	2.2/1.45*2	2.24/1.46*2
Output Power(W)	DC	133/174.5	138.6/182.7	143.4/186.9

Environmental Requirements

Specifications	Values
Operational Temperature Range	-40~40℃
Preservation Temperature Range	-40~90℃
Operational Humidity Range	95%Rh or below (@-40~40℃)
Installation Area	Outdoor (Counter,Residential,Commercial,etc)

Product Packaging	Specifications	Unit
Product Dimension	438*300*62	mm
Net Weigh	5.3/5.3	Kg
Size of box	690*380*140	mm
Gross Weight	6.25/6.5	Kg
Size of Carton	690*380*140	mm
Qty/ Carton	1	PCS
Weight/ Carton	6.25/6.5	Kg

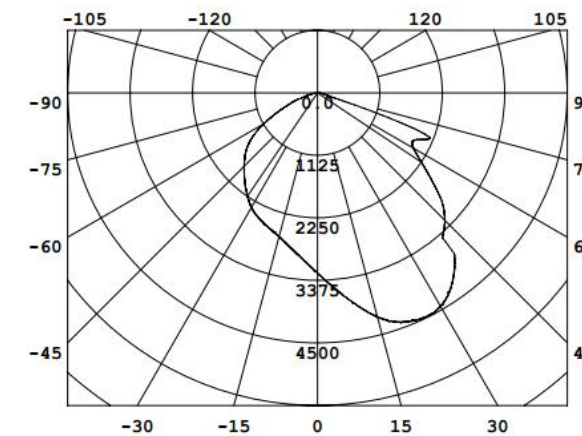
LED SHOE BOX LIGHT



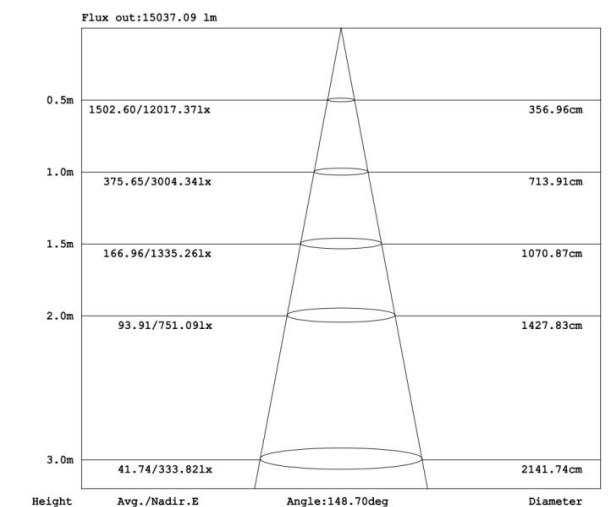
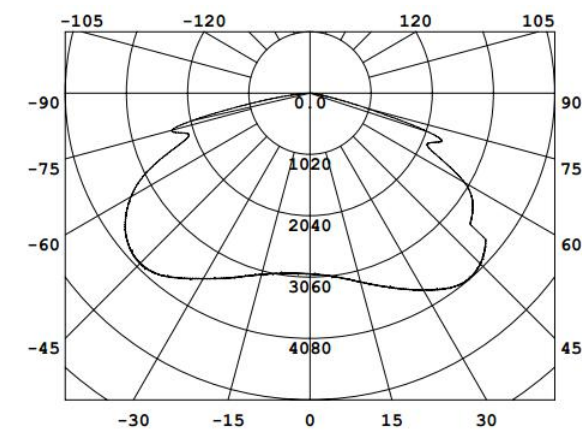
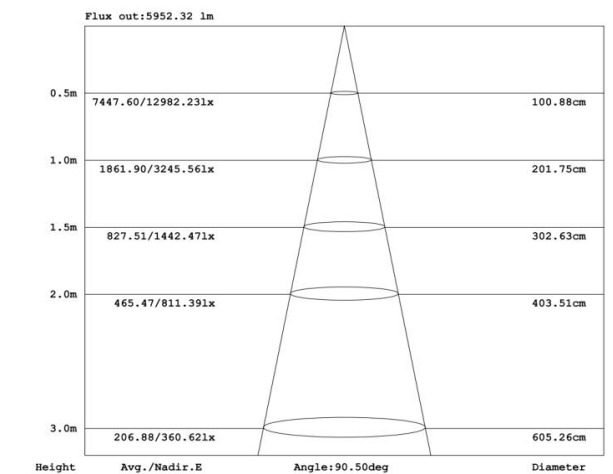
KTSL3908-150,KTSL3908-200

Category	Specifications	Unit
Watts	150/200	W
Lumens per Watt(Efficacy)	130	Lm/W
Light Output	19500/26000	lm
Light Color(CCT)	5000	K
Beam Angle	100*150	°(degree)
Color Accuracy(CRI)	70	Ra
Product Weight	5300	G
Rating Life	50000	H
Base	Line interface	
Input Voltage(AC)	220	V

Luminance Intensity Distribution



Cone Lux Diagram



KONTAK Lighting technical data

LED 250W 300W SHOE BOX LIGHT

Lighting technical data

LED SHOE BOX LIGHT is an alternative light source with longer life and uniformed light distribution



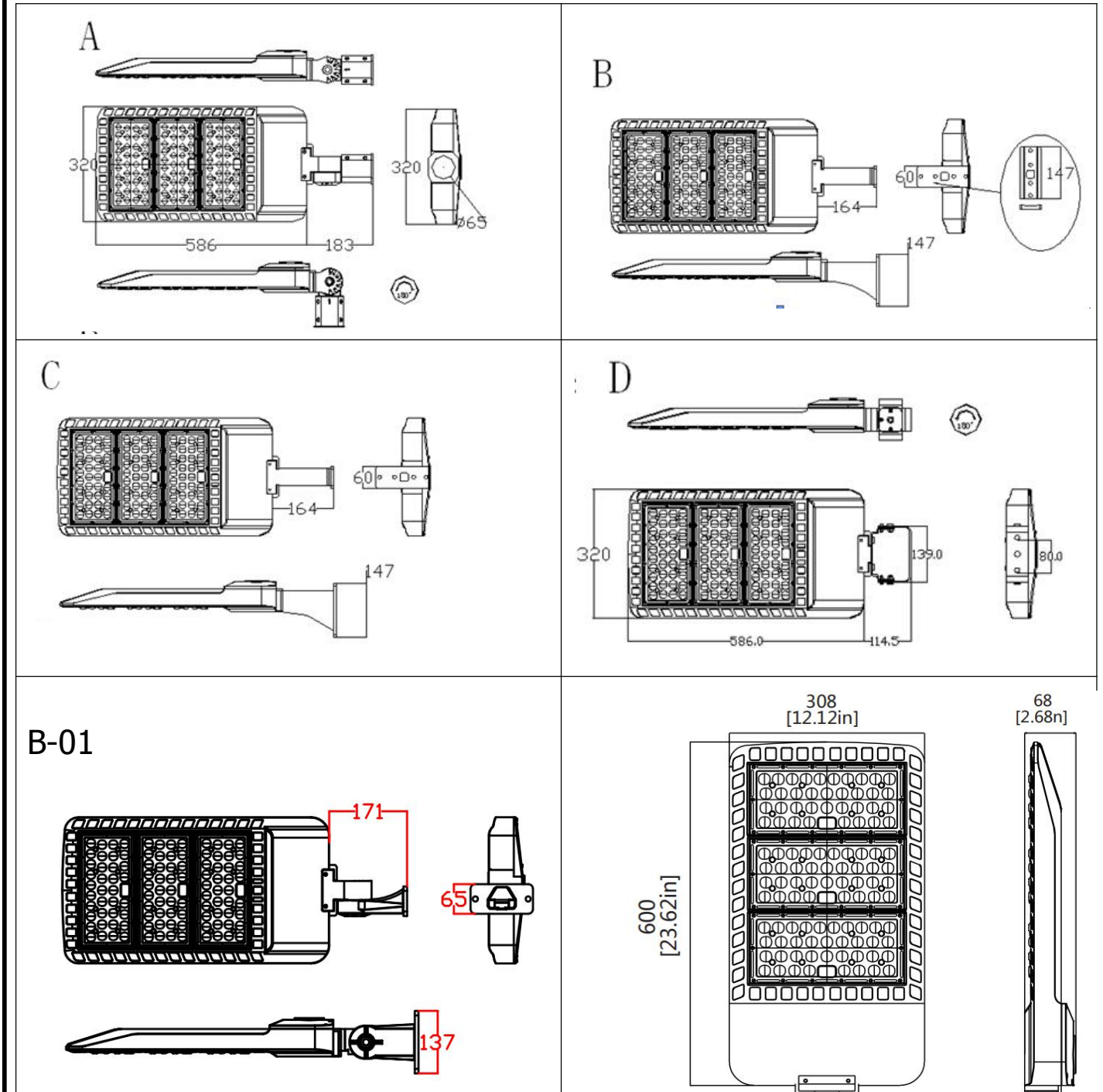
KONTAK Lighting technical data

LED SHOE BOX LIGHT

LED SHOE BOX LIGHT

mounting bracket

model	Dimension(mm)	Material	coding
SBL-A		ADC12	4.12.27015900
SBL-B		ADC12	4.12.27016000
SBL-C		ADC12	4.12.27016100
SBL-D		Iron	4.12.41016300
SBL-B-01		ADC12	4.12.41018700



IP65

LED SHOE BOX LIGHT



Line-Up

Model No.	Watts(W)	Light Output(lm)	Dimension(mm)	Light Color(K)	Beam Angle(Degree)
KTSL3908-250	250±10%	32500-10%	600*308*68	5000K	TYPEIII
KTSL3908-300	300±10%	39000-10%	600*308*68	5000K	TYPEIII

Technical Specifications

Item	Test Conditions	Min.	Typ.	Max.
Input Voltage(V, rms)	AC	120	220	277
Input Current(mA, rms)	AC(120V)	---	1136/1364	---
Input Power(W, rms)	AC(All)	---	250/300	---
Input Frequency(Hz)	AC	---	50Hz	---
Power Factor(PF)	AC(All)	≥0.9		
Output Voltage(V)	DC	61	63	64
Output Current(A)	DC	1.18*3/1.43*3	1.2*3/1.45*3	1.22*3/1.46*3
Output Power(W)	DC	215.9/261.7	226.8/274.1	234.2/280.3

Environmental Requirements

Specifications	Values
Operational Temperature Range	-40~40℃
Preservation Temperature Range	-40~90℃
Operational Humidity Range	95%Rh or below (@-40~40℃)
Installation Area	Outdoor (Counter,Residential,Commercial,etc)

Product Packaging	Specifications	Unit
Product Dimension	600*308*68	mm
Net Weigh	7.4/7.4	Kg
Size of box	870*380*170	mm
Gross Weight	8.45/8.6	Kg
Size of Carton	870*380*170	mm
Qty/ Carton	1	PCS
Weight/ Carton	8.45/8.6	Kg

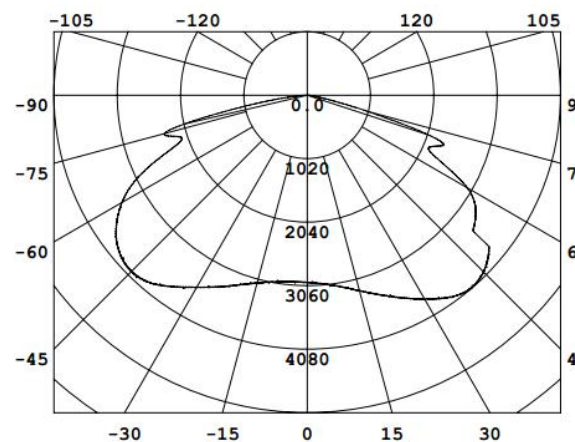
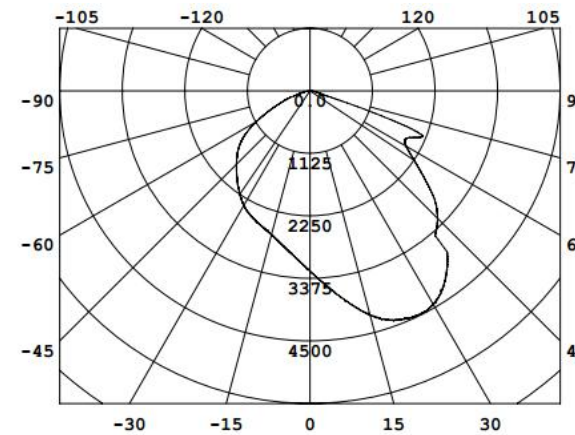
LED SHOE BOX LIGHT



KTSL3908-250,KTSL3908-300

Category	Specifications	Unit
Watts	250/300	W
Lumens per Watt(Efficacy)	130	Lm/W
Light Output	32500/39000	lm
Light Color(CCT)	5000	K
Beam Angle	100*150	°(degree)
Color Accuracy(CRI)	70	Ra
Product Weight	7400	G
Rating Life	50000	H
Base	Line interface	
Input Voltage(AC)	220	V

Luminance Intensity Distribution



Cone Lux Diagram

